

## STEEL D.E.T. SPEC PANELS - QLD ONLY

40 x 40 x 2mm SHS Rails  
 25 x 25 x 1.6mm SHS Tube with  
 Crimped Spear Top  
 125mm Tube Centres

- 2400 x 2100mm Steel Panel

## PANEL FIXINGS

40 x 40mm Double Lug Fence Brackets  
 Side Fit Security Bracket

- 5 x 12-14\*20 Anti Tamper Self Tapping Tek Screws used per Double Lug Fence Bracket

## 75 x 75 x 2.5mm STEEL POSTS

In Ground Post Sizes:

- 3000mm; Per Metre

### • In Ground Post

200 x 500/600mm Post Hole  
 filled with Post Mix Concrete

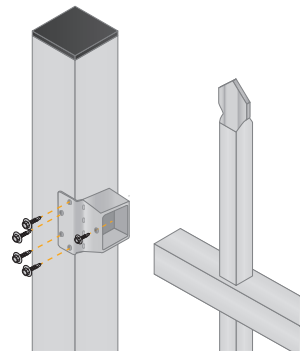
### • Core Drilled Post

Minimum 120mm x 150mm Core Drill  
 Hole filled with MP60 Non-Shrink  
 Bostik Grout

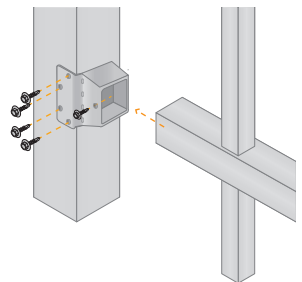
## SUBSTRATE

Galvanised Steel

All of our Hercules Security Fencing  
 are available in the Interpon Powder  
 Coating Satin Black.

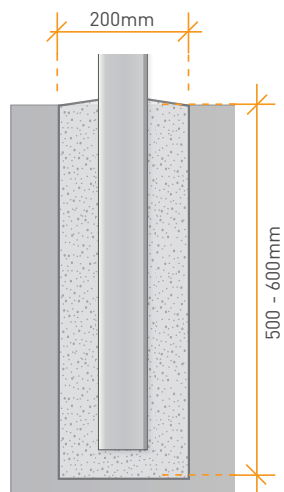
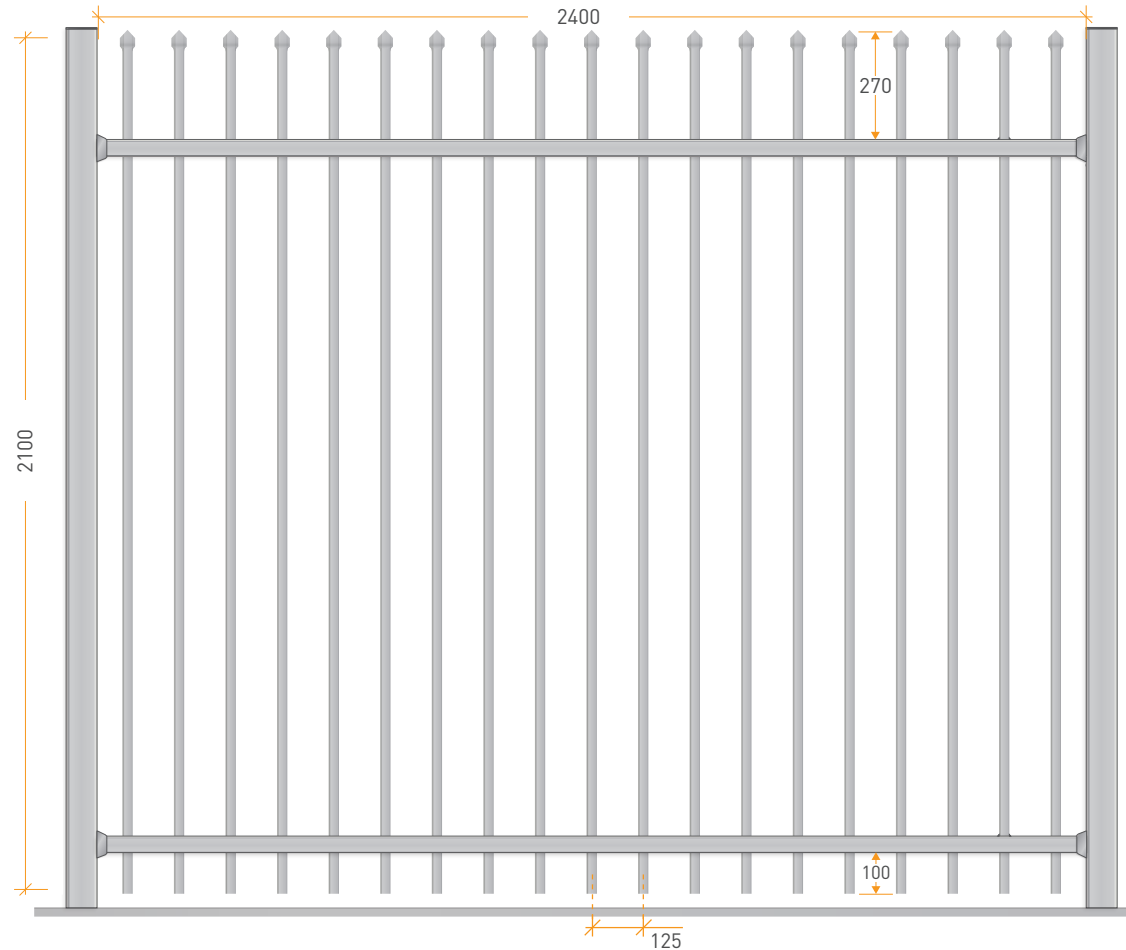


TOP BRACKET

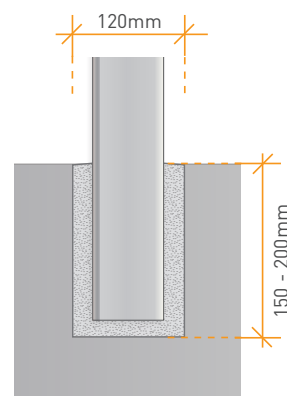


BOTTOM BRACKET

## SIDE FIT SECURITY BRACKET ASSEMBLY



IN GROUND  
 POST DETAIL



CORE DRILLED POST DETAIL



CRIMPED  
 SPEAR TOP DETAIL

TITLE: **STEEL D.E.T.E. HERCULES  
 SECURITY FENCING**

CONTACT: [sales@oxworks.com.au](mailto:sales@oxworks.com.au)

[oxworks.com.au](http://oxworks.com.au) 📞 1300 336 237